

# Fullcircle Furniture



**This beautiful heirloom furniture has a secret.**

It's built from solid birch doors salvaged during the demolition of a building. Sustainably harvested/locally grown birch components, eco-friendly finishes, and doors diverted from landfills make this furniture green.

**Harvest Table**

81"W x 30.5"D x 29"H, Natural birch or Hazelnut finish  
**\$1200**

**Harvest Bench**

81"W x 16"D x 18"H, Natural birch or Hazelnut finish  
**\$700 each**

**Harvest Table and Benches**

Set **\$2500 (SAVE \$100!)**



[www.madisonenvironmental.com](http://www.madisonenvironmental.com)

25 N. Pinckney St.

Madison, WI 53703

608-280-0800

[christi.weber@madisonenvironmental.com](mailto:christi.weber@madisonenvironmental.com)

# Fullcircle Furniture

Demolition waste bound for the landfill

Reclaimed materials rescued and reused

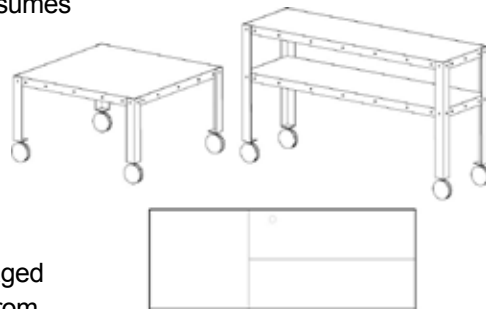


## A problem to solve

Construction and demolition waste consumes 46% of Dane County landfill space.

Madison Environmental Group began exploring the feasibility of a business solution to divert doors and building materials from our landfills.

During deconstruction of the Meriter Hospital complex, 122 doors were salvaged and furniture was designed to be built from the doors, with as little waste as possible.



## An innovative solution

Breathing new life into many salvaged materials such as commercial doors solves a problem and also satisfies a growing market need for **environmentally friendly products.**

Innovative business models like Fullcircle Furniture and Interiors would provide **new jobs** for Wisconsin while reducing pressure on landfills, using less raw material, and creating greener, healthier interiors.

Partially funded by a grant from the Wisconsin Department of Natural Resources



[www.madisonenvironmental.com](http://www.madisonenvironmental.com)

25 N. Pinckney St.

Madison, WI 53703

608-280-0800

[christi.weber@madisonenvironmental.com](mailto:christi.weber@madisonenvironmental.com)

# Fullcircle Furniture

## These are our Fullcircle prototypes.

The **small table** (*left*) is built using half a door, and the **large table** (*right*) is made from a whole door.

Both tables are constructed using sustainably harvested/locally grown birch and natural linoleum, and are finished with a blend of linseed oil, beeswax and carnuba wax.



## Call us to discuss prototype pricing.

The **console** (*left*), **coffee table** (*center*), and **table** (*right*) are built from solid core birch doors combined with stainless steel. All are finished with an eco-friendly product from AFM Safecoat.



[www.madisonenvironmental.com](http://www.madisonenvironmental.com)  
25 N. Pinckney St.  
Madison, WI 53703  
608-280-0800  
[christi.weber@madisonenvironmental.com](mailto:christi.weber@madisonenvironmental.com)